



## Absolute maximum rating

Parameters	Symbol	Min.	Max.	Unit
				°
				°

## Recommended operating environment

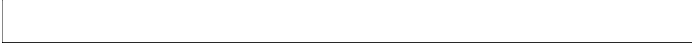
Parameter	Symbol	Min.	Typical	Max	Unit
					°

## Low Speed Characteristics

Parameter	Symbol	Min.	Typical	Max	Unit



## Optical characteristics





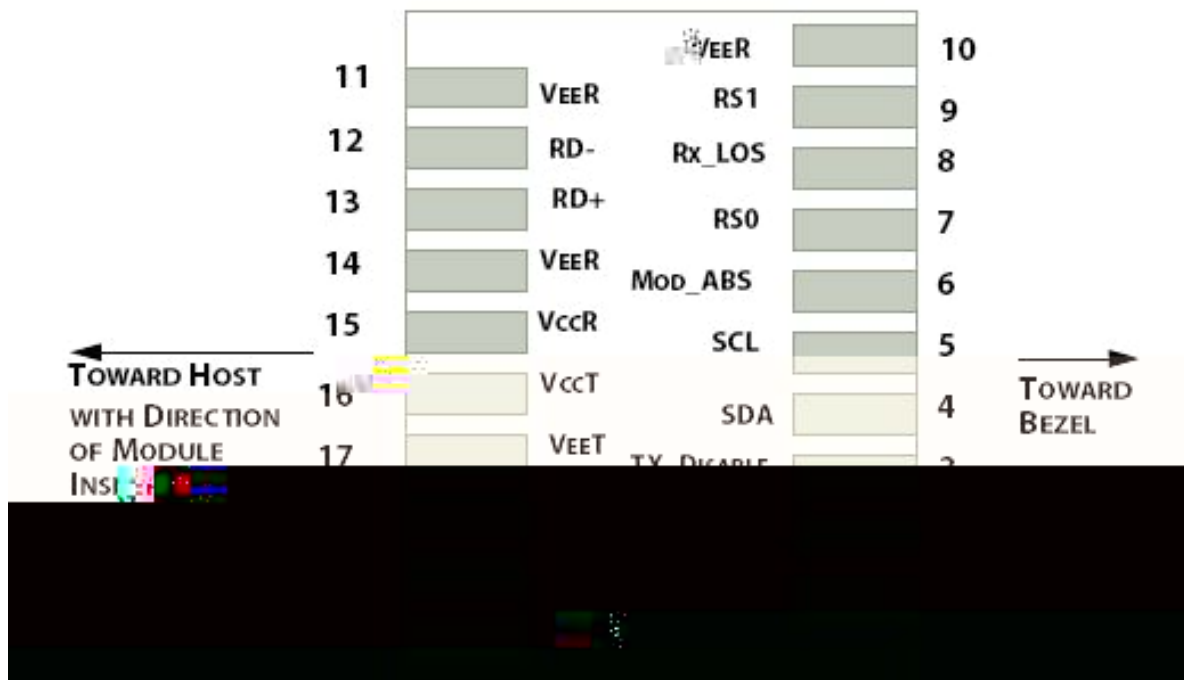


Figure 1: Interface to Host PCB

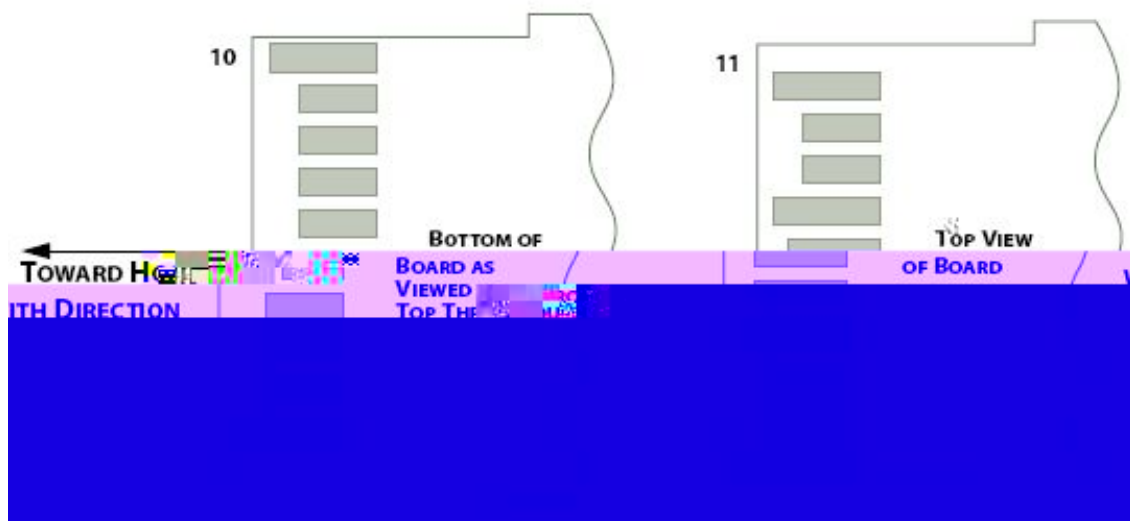


Figure 2: Module Contact Assignment

## Pin definition



F-tone Networks

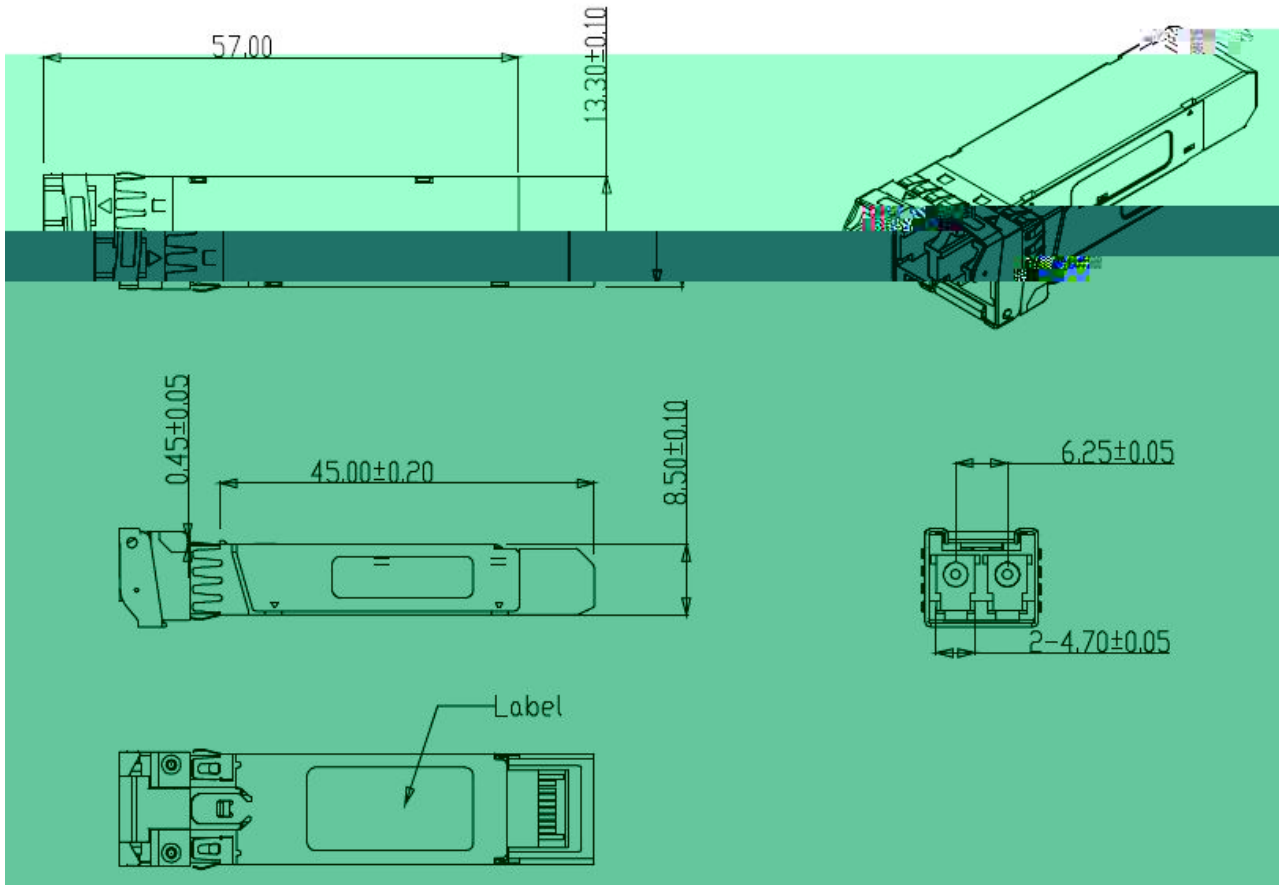
# 北亿纤通科技有限公司

F-TONE GROUP 集团旗下

---

# 北亿纤通科技有限公司

F-TONE



**Figure5. Mechanical Specifications**

## Regulatory Compliance

Feature	Agency	Standard





## Ordering information

Part Number	Product Description

## References

## Important Notice